



LED VAPOR TIGHT

STAIRWELL LUMINAIRE



PROJECT NAME
ORDERING #

**KEY FEATURES**

INPUT WATTAGE	INPUT VOLTAGE	CRI	NOMINAL LUMENS	LUMEN MAINTENANCE	EFFICACY
	120V 277V				
24W - 2	0.22A	0.11A	Up to 86 up to 3400	24-2 L70 >170,000 hrs/L80 >110,000 hrs	[RF] Frosted Ribbed Acrylic Lens – Up to 130 lm/W

**BENEFITS**

- Occupancy sensor compatibility High/Low to 10%
- L70 exceeding 168,000 hours
- 87% Driver Efficiency
- Shock & vibration resistant
- Advanced thermal management with LEDs mounted directly to heat sink
- Durable fiberglass housing
- Passes stringent IP 66 testing
- IP 67 rated enclosure
- Powered by LED Living Technology's Claris LED Retrofit Kit
- Modular Components: All internal modules replaceable at end life.
- Environmentally friendly: Mercury free, Lead free
- 10 Year Limited Warranty
- Buy American

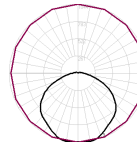
**LENSES**

[Overall fixture dimensions with Mounting Bracket.]

Dimensions: 27.7" L x 6.77" W x 4.26" H

[RF] Frosted Linear Ribbed Impact Resistant Acrylic

**PHOTOMETRIC POLAR PLOTS**



RF – DLC QPL Linear Ambient RF Only, 4000K & 5000K

\* Photometric Polar Plots: Please contact info@ledlivingtechnology.com for individual .IES files, and DLC QPL list for a full list qualified models.

**APPLICATIONS**

Stairwell Luminaire

**RATINGS**



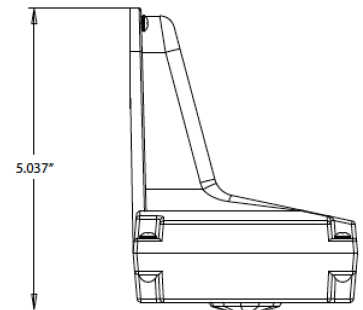
**IP67 FIXTURE MOUNTED OCCUPANCY SENSOR:**

Operating Temp: -40°F to 118°F

100% digital PIR detection – Excellent RF Immunity

Push Button Field Programmable; No minimum load; Adjustable Time Delays.

[OCSD] IP67 Watertight Dimming Fixture Mounted Occupancy Sensor, Can be adjusted high/low to 10%.



**ORDERING**

ROOT	WATTS/LENGTH	LED COLOR TEMPERATURE [CCT]	LENS	LATCHES
G3DRA	24-2 [24W 2Ft 2 LED Strips]	30K [3000K] 40K [4000K] 35K [3500K] 50K [5000K]	RF [Frosted Ribbed Acrylic Lens]	CP [Celcon® POM Latches White]
	<b>TAMPER RESISTANT</b>	<b>BRACKETS</b>	<b>LEADS</b>	<b>SENSOR OPTION</b>
	TR [Tamper proof screws secure latches, please contact LLT for information on tools required to service unit.] Blank [NA]	Blank [Stainless Steel Mounting Straps Included]	TL [Top-Mounted Leads] EL [End-Mounted Leads]	OCSD [IP67 Low Occupancy Sensor. High/Low down to 10% possible.] Blank [No Sensor]
				<b>EMERGENCY BATTERY PACK</b>
				EM7 [>1200 lumens / 7 Watts] Blank [No Battery Pack]

\* Polycarbonate, and Ribbed Frosted Polycarbonate only available in 4ft  
[See data sheet for CLA-EM for more information on Emergency Battery Packs.]