

PROJECT NAME
ORDERING #

Portable germicidal UVC lamps can be set up at close of business and put away before opening, making them ideal for cafés, boutique stores, salons, and other locations where permanent UVC lamp fixtures would interfere with aesthetics. They are also an ideal solution for small professional businesses in leased office spaces that don't permit custom fixture installation. Our germicidal corn lights include a socket with standard 3-prong plug and eyebolt for pendant hanging, plus built in motion sensors, a remote control, and a start-up delay with warning buzzer.

KEY SPECIFICATIONS

Input Power	80W
Input Voltage	85-135VAC
Wavelength	254 nm
Base Type	E26/E27 Edison
Hold Time	30/60/90/120 minutes
Projected Lifetime	9,000 hours
Operation Method	IR Remote Control
Mounting	Socket, Plug & Eyebolt (standard), Tripod (optional)
Controls	Occupancy Sensor/Microwave and PIR Sensors
Warranty	2 Years



ORDERING

Example: **LLT-UVC-80W-LCKG**

Model Root	Wattage	Series	Options
LLT-UVC	80W - 80W	LCKG	BLANK - None

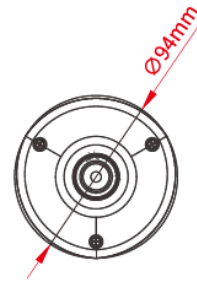
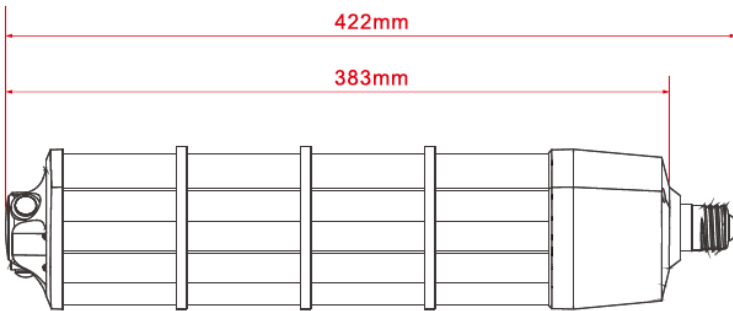
Safety Note: UVC radiation can cause skin burns and eye injuries that may appear hours after exposure has occurred. Avoid direct skin exposure to UVC radiation and never look directly into a UVC light source, even briefly. We recommend ANSI Z87.1-1989 eye/face protection, long pants and sleeves, and disposable nitrile gloves when working with or around exposed UV lamps.

PROJECT NAME
ORDERING #

ACCESSORIES

Item Type	SKU	Description	Image
Mounting Options	UVCGKCLEBTR	Tripod Kit for UVC Corn Light	

DIMENSIONS



PROJECT NAME

ORDERING #

COVERAGE AREA

The infrared remote control provides 4 timer settings. The longer the time, the larger the kill zone. Here is a general guide to coverage, though keep in mind that UV rays can only disinfect what they can reach. Furniture, equipment, and other room fittings that obstruct the line-of-light will reduce coverage area.

80W Model	
Time	Covers Up To...
30 minutes	430 sq ft
60 minutes	535 sq ft
90 minutes	590 sq ft
120 minutes	645 sq ft

MICROWAVE & PIR SENSORS

